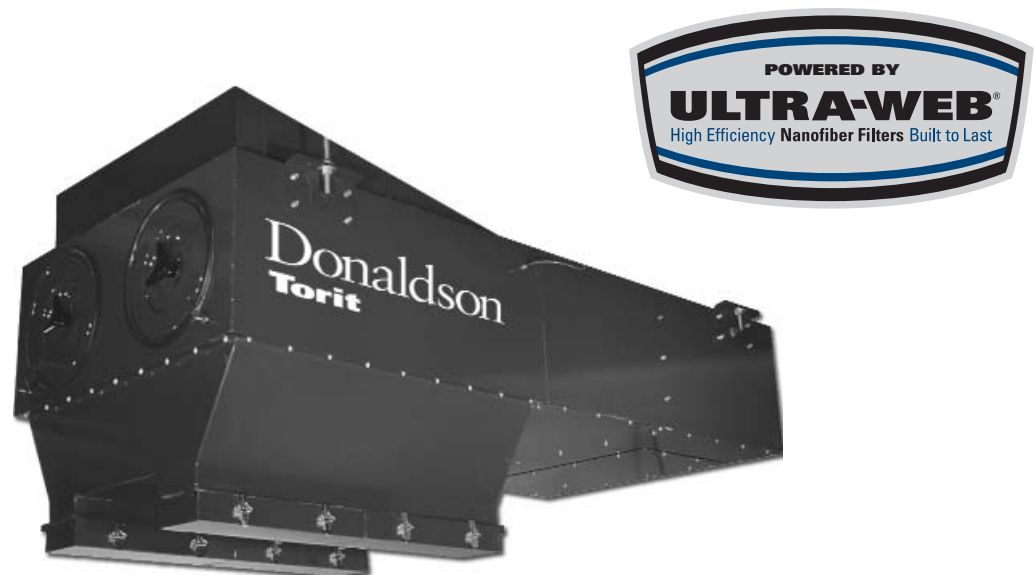


Ambient Collection System

Model AT-3000

A self-contained, continuous cleaning general ventilation system for use when source collection isn't possible.

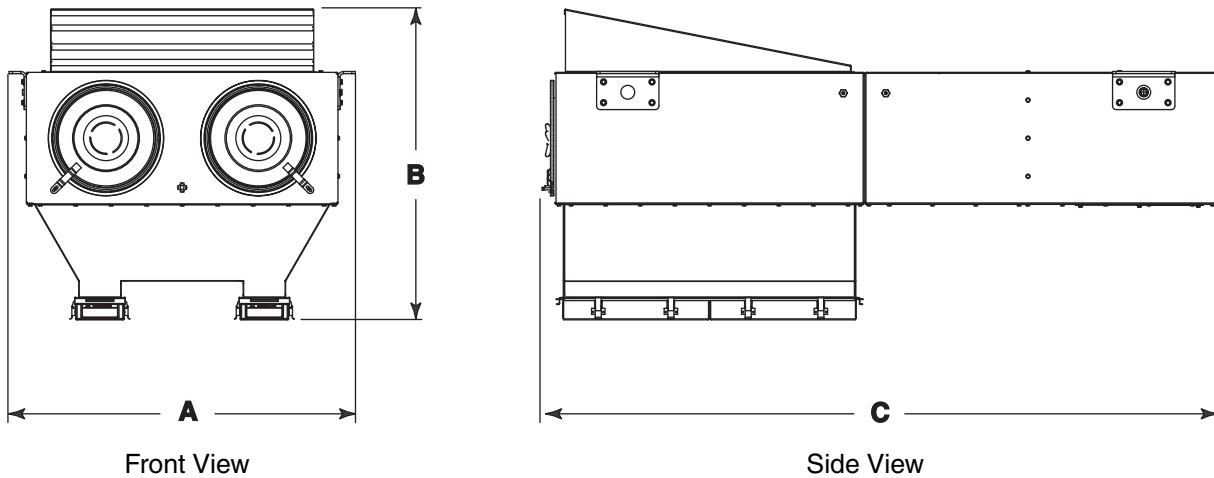


AT-3000

- Ultra-Web® FR cartridges, featuring nanofiber technology provide higher filtration efficiency and longer filter life.
- MERV* 13 filtration efficiency rating outperforms the competition.
- Easy filter changeout for quick maintenance.
- Ceiling mount system saves valuable plant floor space, allowing installation in locations previously inaccessible to high efficiency dust collectors.
- FLUENT®** designed inlet and dust hopper minimize fume re-entrainment and reduce maintenance expense.
- Recirculation of clean air reduces need for costly make-up air.
- Productivity increases and morale improves by providing a cleaner working environment.
- Four small, easy-handling dust pans are lightweight even when full, and allow quick dust disposal.

Ambient Collection System (AT-3000)

Dimensions & Specifications



Model	Nominal Airflow*** (cfm)	Filter Area (ft ²)	No. of Filters (Ultra-Web FR)	No. of 3/4" Valves	Inlet Velocity (fpm)	Dimensions (inches)			Shipping Weight (lbs)	Sound Level dB(A)†
						A	B	C		
AT-3000	2900	636	4	2	1325	50.0	44.9	97.4	820	71

Standard Features

- Ultra-Web® FR filter cartridges
- 208/230/460/60/3 voltage
- 3 hp TEFC blower motor
- 10-year warranty

Equipment Options

- Magnehelic®** gauge
- Photohelic®** gauge
- Hopper
- Solenoid valve silencer

* The Minimum Efficiency Reporting Value (MERV) of this filter cartridge has been determined through independent laboratory testing using ASHRAE 52.2 (1999) test standards. The MERV rating was determined at a face velocity of 118 feet per minute and loading up to four inches water gauge. Actual efficiency of any filter cartridge will vary according to the specific application parameters. Dust concentration, airflow, particle characteristics, and pulse cleaning methods all affect filtration efficiency.

** FLUENT is a registered trademark of Fluent, Inc.
Magnehelic and Photohelic are registered trademarks of Dwyer Instruments, Inc.

*** Based on clean filters.

† db(A) sound levels are an average of measurements made in a laboratory environment. Installed sound levels will vary depending on the measurement location, operating conditions, and installation.



Donaldson Company, Inc.
Industrial Air Filtration
P.O. Box 1299
Minneapolis, MN 55440
Tel 800-365-1331(USA)
Tel 800-343-3639 (within Mexico)
dustmktg@mail.donaldson.com
www.donaldson.com

Significantly improve the performance of your collector with genuine Donaldson Torit replacement filters and parts.

Visit us at www.donaldsondynamic.com



Information in this document is subject to change without notice.

© 1999 Donaldson Co., Inc.
Printed in U.S.A. on recycled paper

Data Sheet AT-3000 (02/06)

Visit us online at DustCollectionPros.com

Our Business is Improving Your Workplace Air Quality.



Since 1995, Environmental Solutions has been helping businesses, like yours, improve their workplace air quality. As an authorized service center for Donaldson Torit, we offer you a one-stop shop for equipment, service, engineering and installation of the industry's leading air pollution control systems.

Whether your company requires the removal of oil mist, welding fumes, machining or wood-working dust, graphite, or correction of any other type of air quality problem; we can expertly engineer and install a quality Donaldson Torit solution to meet your unique needs. No system is too big or too small.

TOLL FREE 1-866-438-7891

 **Environmental**
Solutions

12427 Fire Island Drive
Loves Park, IL 61111
Phone: (847) 370-9304

Environmental Solutions is also your source for discount pricing on genuine Donaldson Torit Replacement Filters!

DONALDSON TORIT SALES | INSTALLATION | REPLACEMENT FILTERS